

Hochiki YBO-R/SCI Short Circuit Isolator Base & CHQ-SCI/DIN Short Circuit Isolator Module Installation Instructions



General Description

These two devices detect and isolate short-circuits on the loop. When a short-circuit is detected during power up these isolators will illuminate their integral LED (yellow) and drop the power to the rest of the loop.

YBO-R/SCI Isolator Base

The YBO-R/SCI is a short-circuit isolator combined in a base compatible with the ASX range of sensors (see compatibility chart below). The Isolator can also be used as a stand alone unit with the addition of a simple clip on cover (S/I-BC), in either configuration the unit does not require a loop address. A remote fire LED facility is provided when a sensor is attached to the base.

Note:- If a sensor is fitted this will still be powered when the device is isolating (yellow LED illuminated).

CHQ-SCI/DIN Isolator Module

The CHQ-SCI/DIN is a short-circuit isolator housed in a compact DIN rail module housing. This module should be housed within a suitable protective enclosure such as the DX070 Box.

Specifications

| | Base Isolator | DIN Module Isolator |
|--|-------------------------------|---------------------------|
| Ordering code | YBO-R/SCI *1 | CHQ-SCI/DIN |
| Protocols | ESP/HRE# | |
| Operating Voltage | 19-41 Vdc (24 Vdc nominal) | |
| Standby current | 60 μ A | |
| Current drawn by isolator during fault condition | < 10 mA | |
| Maximum current consumption from remote LED | N/A | 10 mA (limited by sensor) |
| Maximum continuous current | 1 A | |
| Maximum quantity per loop | 127*2 | |
| LED colour | Yellow | |
| Ambient temperature range | -10 °C to +50 °C | |
| Relative humidity | 10% to 95% RH (at 40°C) | |
| Colour and case material | Ivory ABS | Green ABS |
| Fixing centres | 48 mm through to 74 mm | N/A |
| Maximum wire thickness | 2.5 mm ² /terminal | |
| Weight | 92g | 103g |
| Optional cover for stand alone use | S/I-BC | N/A |

#The YBO-R/SCI can be used on the HRE protocol as a replacement for the SCI/2a, but as a **stand alone isolator only**, in other words, with no sensor fitted.

*1 Fire alarm control panel compatibility is required for this product.

*2 Check with Fire alarm control panel manufacturer for maximum loop quantities

Compatibility

The YBO-R/SCI base isolator has been designed to work with the sensors listed below. All sensors are compatible with Hochiki ESP (Enhanced System Protocol).

| Sensor Type | Ordering Code |
|----------------------|------------------------|
| Photoelectric sensor | ALG-E and all variants |
| Ionisation sensor | AIE-E and all variants |
| Temperature sensor | ATG-E and all variants |
| Multi-Sensor | ACA-E |

Precautions

- ❑ Ensure that both devices are installed in accordance with local standards or regulations.
- ❑ Only install in suitable environments, the following should be avoided : -
 - . Excessive ambient temperature.
 - . Where excessive condensation or moisture is present.
 - . Hazardous areas.
- ❑ Do not use a high voltage tester on these devices.
- ❑ Ensure that the YBO-R/SCI base isolator is securely fixed to the ceiling or other suitable surface.
- ❑ Ensure that the CHQ-SCI/DIN module isolator is connected to securely fitted DIN rail and housed within a suitable protective enclosure.
- ❑ Ensure that the terminals on both devices are securely fastened.
- ❑ When fitting the YBO-R/SCI isolator base, for proper wiring supervision ensure that the cables are routed through the base terminals and not spurred off a main wiring route.
- ❑ Ensure the YBO-R/SCI base isolator is fitted with either a sensor or a cover (on HRE systems only cover may be fitted)
- ❑ Ensure yellow isolating LED on either device is easily visible.

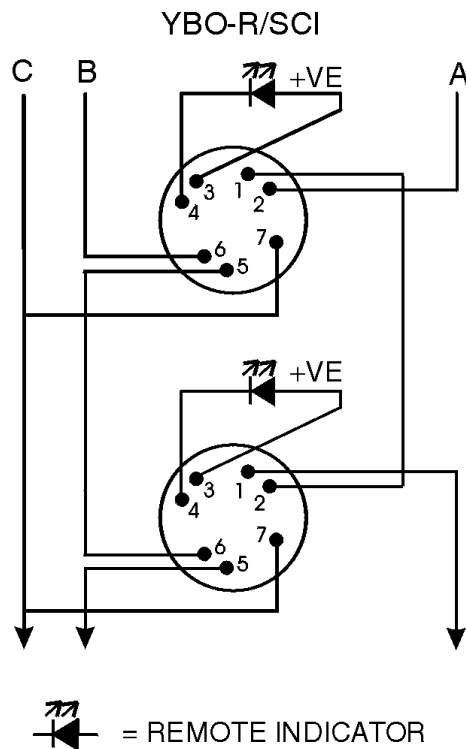
Wiring

The wiring of the YBO-R/SCI short circuit isolator base should be made as shown right:

A: Loop (+)
 B: Loop (-)
 C: Cable Screen

Note:- The Remote Indicator will only indicate a fire condition, but not when the base is isolating.

The wiring for the CHQ-SCI/DIN should follow the wiring indications on the product side label.



Hochiki Europe (UK) Ltd
 Grosvenor Road, Gillingham Business Park,
 Gillingham, Kent, ME8 0SA, England
 Telephone: +44(0)1634 260133 Facsimile: +44(0)1634 260132
 Email: sales@hochikieurope.com
 Web: www.hochikieurope.com

Hochiki Europe (UK) Ltd. reserves the right to alter the specification of its products from time to time without notice. Although every effort has been made to ensure the accuracy of the information contained within this document it is not warranted or represented by Hochiki Europe (UK) Ltd. to be a complete and up-to-date description. Please check our web site for the latest version of this document.